

B

B

A

A

4

3

2

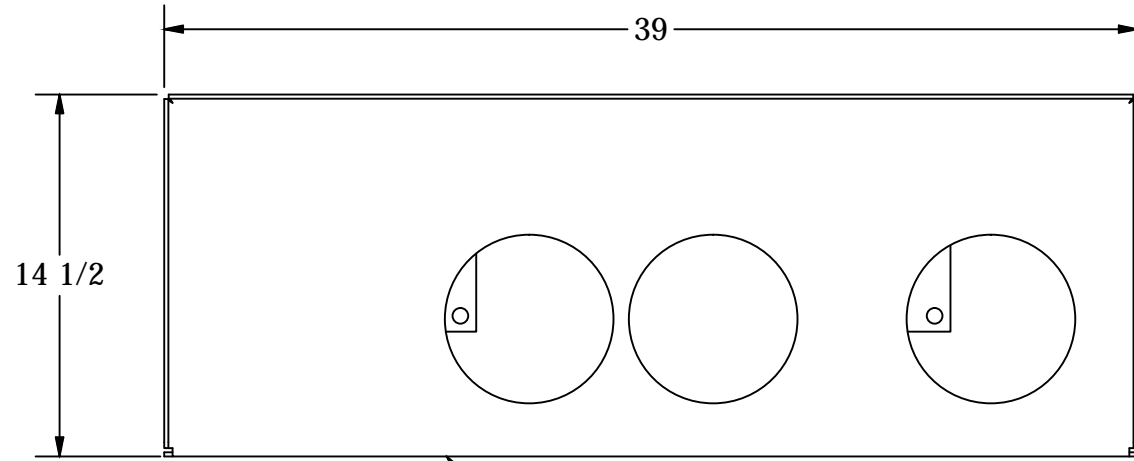
1

4

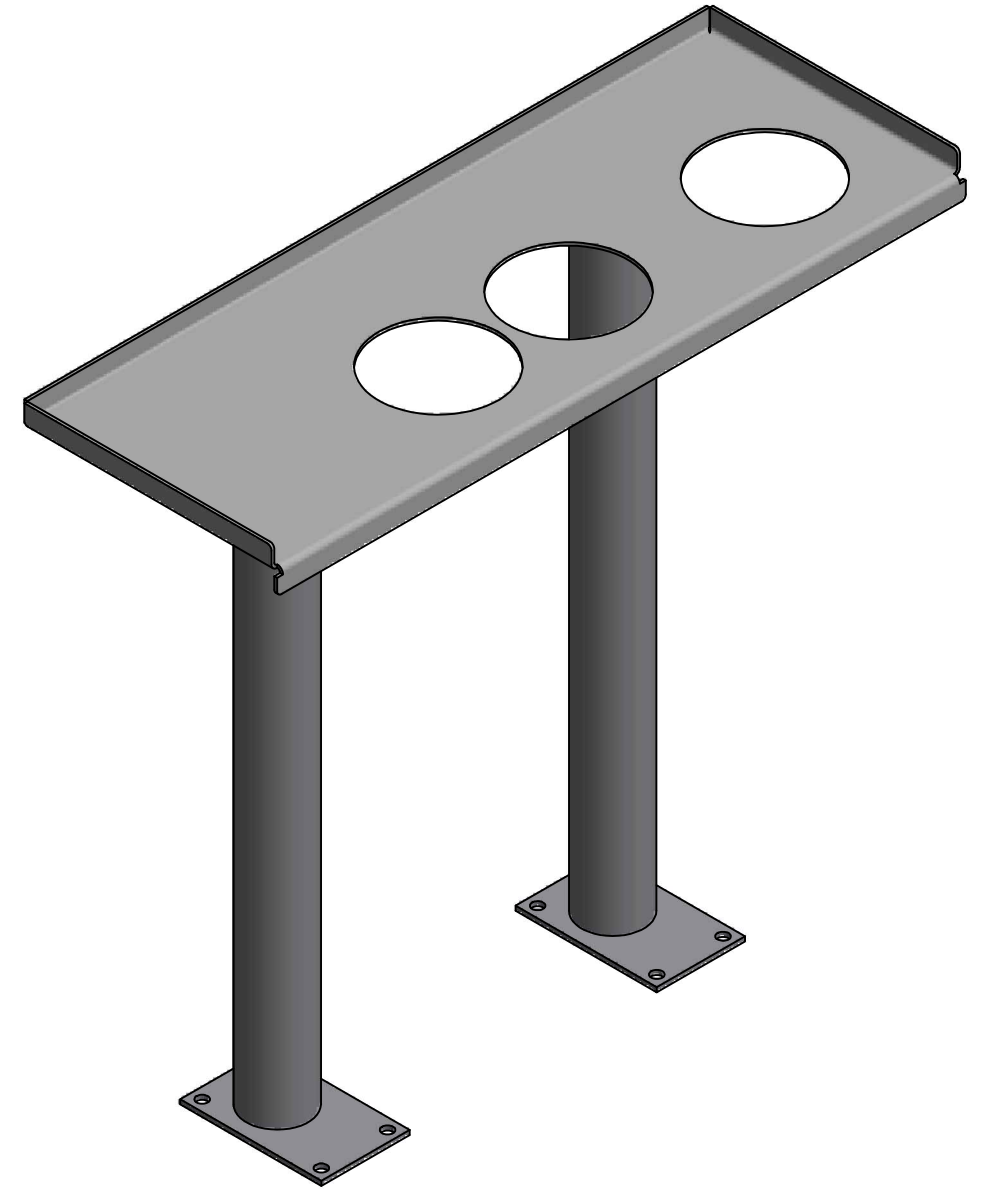
3

2

1



7ga 304 s.s.



3" sch 40 pipe

1/4"x6" flat bar

Field Verify

DRAWN rgrose	6/25/2012	ALLTECH DISTILLERY	
CHECKED wesharris	6/25/2012		
 PMI INDUSTRIAL CONSTRUCTION & FABRICATION 850 Tech Dr. Winchester, KY 40391 ph:859-737-5500 fax:859-737-5508		TITLE	
		Still Safe Support	
		SIZE B	DWG NO Still safe support
SCALE	SHEET 1 OF 1		